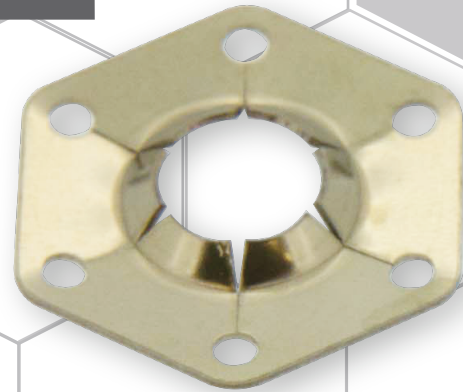


Avoiding bolts' fall!

The best selection for bolts that must not fall off!

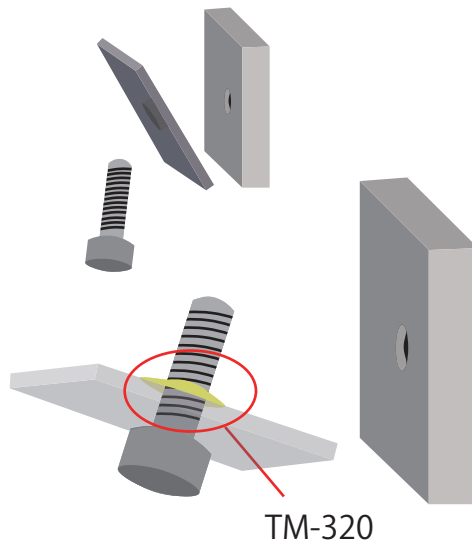
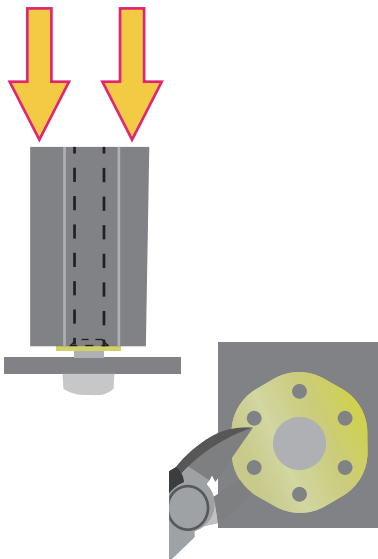


**TM-320
Screw Retainer**

Install Easily

CE Marking Measure

A Wide Range of Screw Retainers



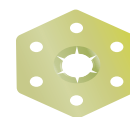
M3



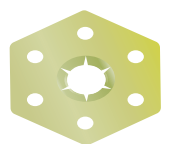
M4



M5



M6



M8

The washer can be installed easily through pressing with hexagonal nut etc. When you remove it please use nipper.

* Removed washer has no longer function as origin, please do not use removed one.

Bolts' fall-off proof is required by CE regulation for devices' when it will be shipped to EU. It makes safety that the bolt will not fall-off by vibration while transporting or so.

There are five size available: M3, M4, M5, M6, M8. Please feel free to contact us for another size because we have several size.

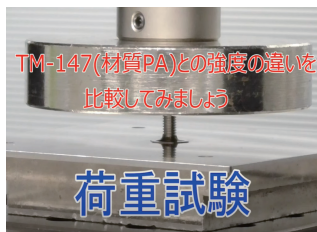
TM-320 抜け止めワッシャー

Screw Retainer

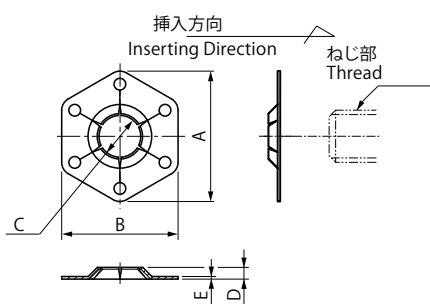


材質と処理 Material & Finish

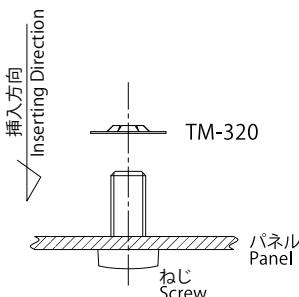
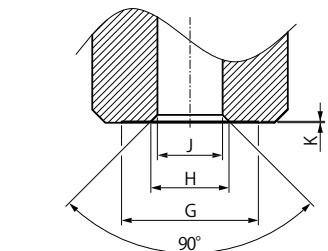
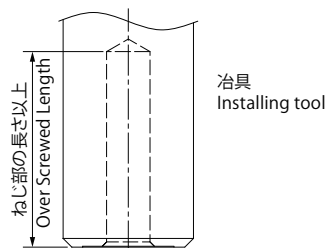
材質 Material	処理 Finish
SUS301 -CSP	テンパー Tempering



取付方法や荷重試験の様子を動画で公開中！！



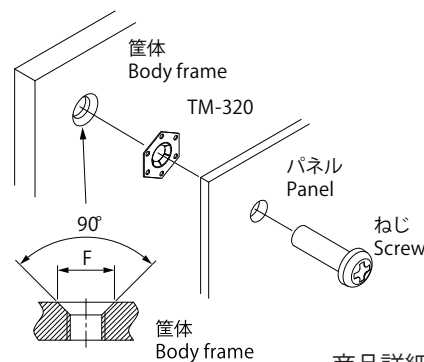
推奨治具形状および取付方向 Recommend Installing Tool Figure



ねじの中心と治具の中心が同一線上になるようにして、挿入してください。
Please install the screw to be positioned on the same line with the center of the screw and tool.

取付例 Installation Example

TM-320の挿入方向にご注意ください。
Be careful inserting direction for TM-320



サラ加工指示図
If tapping for body frame, the hole should be countersunk.

商品詳細はこちら



オンラインショップ

寸法・仕様表 Size List & Specification

型番 Model No.	A	B	C	D	E	F	G	H	J	K	適用機種 Applicable Screw	自重 (g) Net Weight (g)	価格 (円) Price(yen)
TM-320-M3	10	(9.06)	φ2.3	0.7	t0.2	φ5.5	φ11	φ5.5	φ4.5	0.1	M3	0.1	¥21
TM-320-M4	12	(10.93)	φ3.1	1	t0.25	φ6.5	φ13	φ6.5	φ5.5	0.2	M4	0.2	¥22
TM-320-M5	14	(12.66)	φ3.9	1.1		φ7.5	φ15	φ7.5	φ6.5		M5	0.3	¥25
TM-320-M6	16	(14.39)	φ4.7	1.4	t0.4	φ10	φ17	φ10	φ8		M6	0.5	¥28
TM-320-M8	20	(17.86)	φ6.4	1.8		φ12	φ21	φ12	φ10		M8	0.9	¥31

※税抜価格



カスタムメイドも対応可能です。
お気軽にご相談ください！

TOCHIGIYA 栃木屋 オンラインショップ

<https://tochigiya.jp/shop/>



栃木屋オンラインショップ

検索